

# AHD-ABVF-2D

1080P 2.8-12mm Varifocal Lens IR Bullet Camera



## Features

- 1/2.8" 2 Megapixel CMOS Sensor
- 2.8-12mm Varifocal Lens
- Full HD (1920x1080P)
- WDR (Wide Dynamic Range)
- Day & Night Function
- IP66
- DC 12V
- 15IR LEDs, IR Distance 20m
- Dual Video Cable Output: AHD / TVI  
CVBS

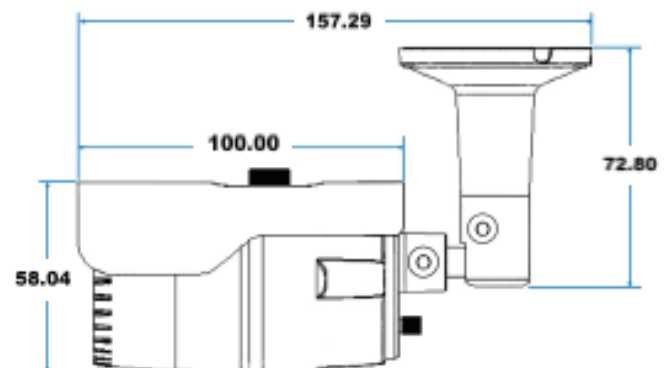


## Specifications

AHD-ABVF-2D	
<b>CAMERA</b>	
Image Sensor	1/2.8" 2 Megapixel CMOS Sensor
Total Pixels	1945 (H) x 1109 (V)
Effective	1945 (H) x 1097 (V)
Resolution	HD : 2.43 Mega Pixel
S/N Ratio	More than 50dB (AGC off)
Min. Illumination	Color: 0.1 Lux (50IRE) / 0.02 Lux (15IRE) BW: 0.08 Lux (50IRE) / 0.002 Lux (15IRE)
Frame	30fps Full HD
Video Output	AHD/TVI (Selectable), CVBS
Lens	2.8-12mm Varifocal Lens
Day & Night	Auto/Color/B&W/EXTERN
High Speed Shutter	1/60 (NTSC) ~ 1/50,000
Backlight	OFF/ HLC/ BLC/ WDR
HLC	Level Setting(0~20), Color
BLC	Size (H:5~20 / V:7~20) , Position (0~20)
WDR	Low / Middle / High
AGC	Level Setting(0~10)
Camera ID	Off/On (Letters A to Z, Numerals 0 to 9, Symbols)
DNR	Off / Low / Middle / High
Motion Detection	Off/ON
Privacy Mask	16 Areas (On/Off, Color, Position)
Sens-Up	x2,x4,x8,x16,x32
De-Fog	Off/ON
Power Input	12V DC (± 10%)
Operation Temperature	-10°C ~ +50°C
Dimensions	71.50mm (W) x 100mm (H) x 157.29 (D)
Weight	255 g



## Dimensions



Design and specifications are subject to change without notice.

picture may vary from actual product